

# DaoSafe

# Turnstile Catalogue



Quantum Tripod Turnstile



Warranty  
3 Years



Make quality turnstile,  
and make you secure.

# DaoSafe

[www.daosafe.eu](http://www.daosafe.eu)

# Daosafe Company



Daosafe Technology Co., Ltd. was established in Shenzhen, China in 2004, is a professional developer and manufacturer for turnstile, specializing in high-quality tripod turnstile, optical swing turnstile, optical flap turnstile, full height turnstile and speed gate.

With 19 years' experience, we found that only differentiation and quality can make you outstanding and grasp more market in the long run. Daosafe products are more unique and aesthetic in design, and remaining favorable price at the same time.

Daosafe founders and managements have senior experience in turnstiles, technology, selling and customer service, leading well team-conscious sales, production, engineering and QC teams. Though we are young, you can find the enthusiasm, well-communication and coordination, profession, responsibility and friendly in our mind. When doing turnstile business with us, you will find nothing is difficult.

- 19 years experience in security turnstile gate industry
- Export to 123 countries worldwide
- Over 20,000 sets/year capacity
- 15,000 sq.m of production and office space
- Certification support: CE, ROHS, FCC, ISO9001, CO, SASO, SONCAP, COC, Form E, Form F, CCVO etc.
- Support OEM/ODM
- 3 years free warranty

# Tripod Turnstile



Model No. **DSN-50**



Tripod turnstile is the simple type, with the lowest price in all type turnstiles. The turnstile is usually used in sites that pedestrian flow rate is relative small.

## Super- elegant and European stylish turnstiles

The most obvious feature is the slim and delicate design (360\*260\*980mm) to save space occupation. Exquisite and beauty is the most attractive feature in the first look.

The tempered glass top cover and swiping card panel is incorporated into the traditional stainless steel design. The combination of tradition and modern art will definitely brighten up our vision and bring an unexpected surprise.

Material: 304 stainless steel + black tempered glass

Size: 360 \* 260 \* 980mm

Net weight: 35kg/pcs

Pass rate: 35 person/min

Pass width: 550mm

LED indicator: yes

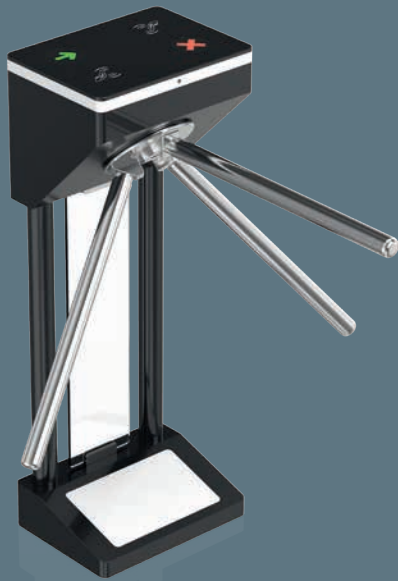
# Quantum Tripod Turnstile



It is cost-effective, exquisite and beauty, only one person can pass at one time, highest security to prevent the illegal trailing.



Model No. DS-Q50



Material: steel + white and black  
stoving varnish + tempered glass  
Size: 380 \* 280 \* 1000mm  
Net weight: 35kg/pcs  
Pass rate: 35 person/min  
Pass width: 550mm



Suitable for both indoor and outdoor environments



Model No. DS-Q10



Material: steel + white and black  
stoving varnish + tempered glass  
Size: 1400 \* 120 \* 978mm  
Net weight: 65kg/pcs  
Pass rate: 35 person/min  
Pass width: 550mm



Suitable for both indoor and outdoor environments

# Tripod Turnstile



Long-life performance, high operation dependability and fast response.  
The whole system runs smoothly, low noise, no mechanical impact.

HOT



DSN-10

Material: 304 stainless steel  
Size: 1600 \* 150 \* 980mm  
Net weight: 75kg/pcs  
Pass rate: 35 person/min  
Pass width: 550mm  
LED indicator: Yes

Material: 304 stainless steel  
Size: 1200 \* 180 \* 980mm  
Net weight: 50kg/pcs  
Pass rate: 35 person/min  
Pass width: 550mm  
LED indicator: Yes



DS112

HOT



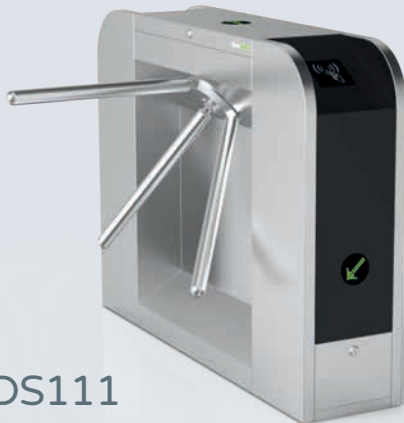
DS1000

Material: 304 stainless steel  
Size: 1400 \* 280 \* 1000mm  
Net weight: 60kg/pcs  
Pass rate: 35 person/min  
Pass width: 550mm  
LED indicator: Yes

# Tripod Turnstile



Long-life performance, high operation dependability and fast response.  
The whole system runs smoothly, low noise, no mechanical impact.



DS111

Material: 304 stainless steel  
Size: 1200 \* 280 \* 1000mm  
Net weight: 55kg/pcs  
Pass rate: 35 person/min  
Pass width: 550mm  
LED indicator: Yes

Material: 304 stainless steel  
Size: 1200 \* 280 \* 1000mm  
Net weight: 55kg/pcs  
Pass rate: 35 person/min  
Pass width: 550mm  
LED indicator: Yes



DS101



DS104

Material: 304 stainless steel  
Size: 1200 \* 280 \* 1000mm  
Net weight: 50kg/pcs  
Pass rate: 35 person/min  
Pass width: 550mm  
LED indicator: Yes

# Tripod Turnstile Overview

NEW



DS-Q50

HOT

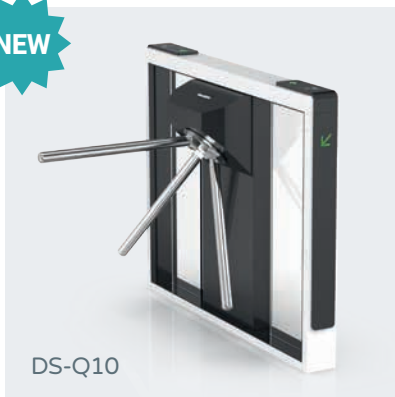


DSN-50



DS100Z

NEW



DS-Q10

HOT



DSN-10



DS101



DS103N



DS104



DS111

HOT



DS112



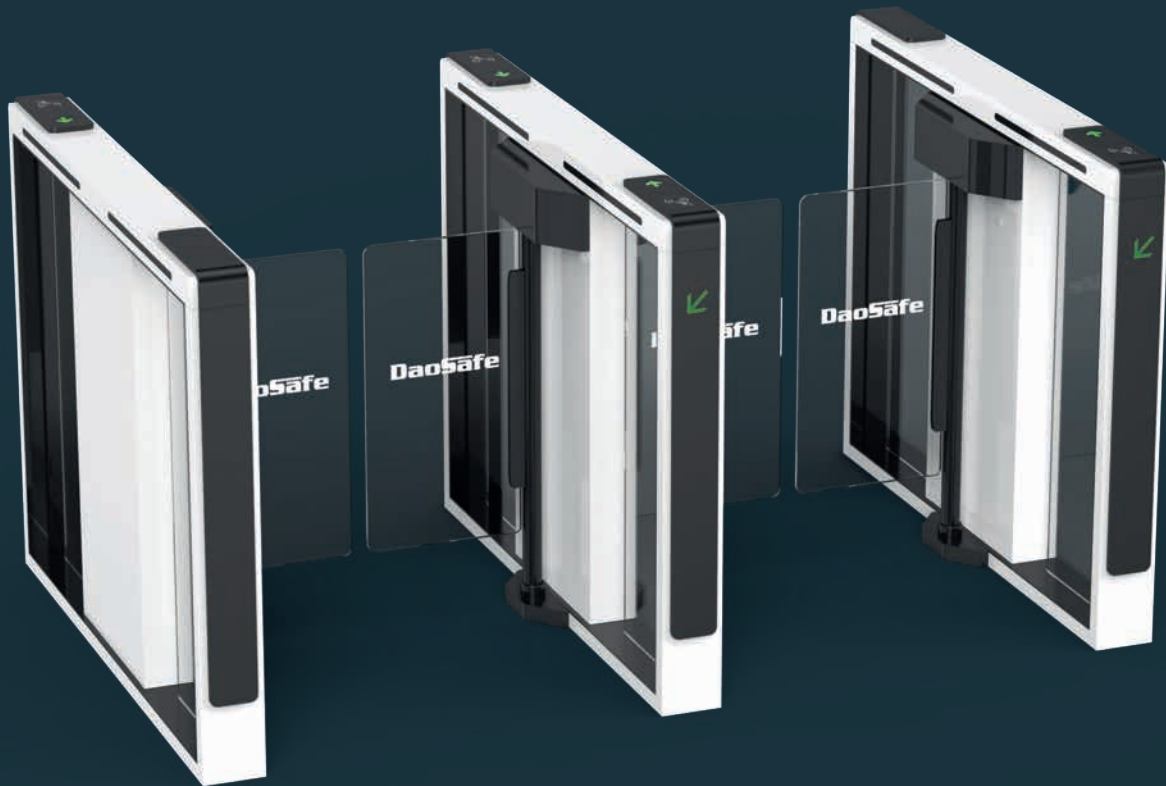
DS1000



DS-Q50S

# Optical Swing Turnstile

NEW



Model No. **DS-Q20**



With 1100mm wide passageway, supporting wheelchair, large package and emergency purpose.

## Super- elegant and European stylish turnstiles

DS-Q20 Quantum optical swing turnstile is to control pedestrian entry or exit in restricted areas, usually used in high pedestrian traffic flow in both directions.

Design with classic black, white color appearance, elegant and timeless pairing, perfect for using at high end applications.

Material: steel + white and black stoving varnish + tempered glass

Size: 1400 \* 120 \* 978mm

Net weight: 65kg/pcs

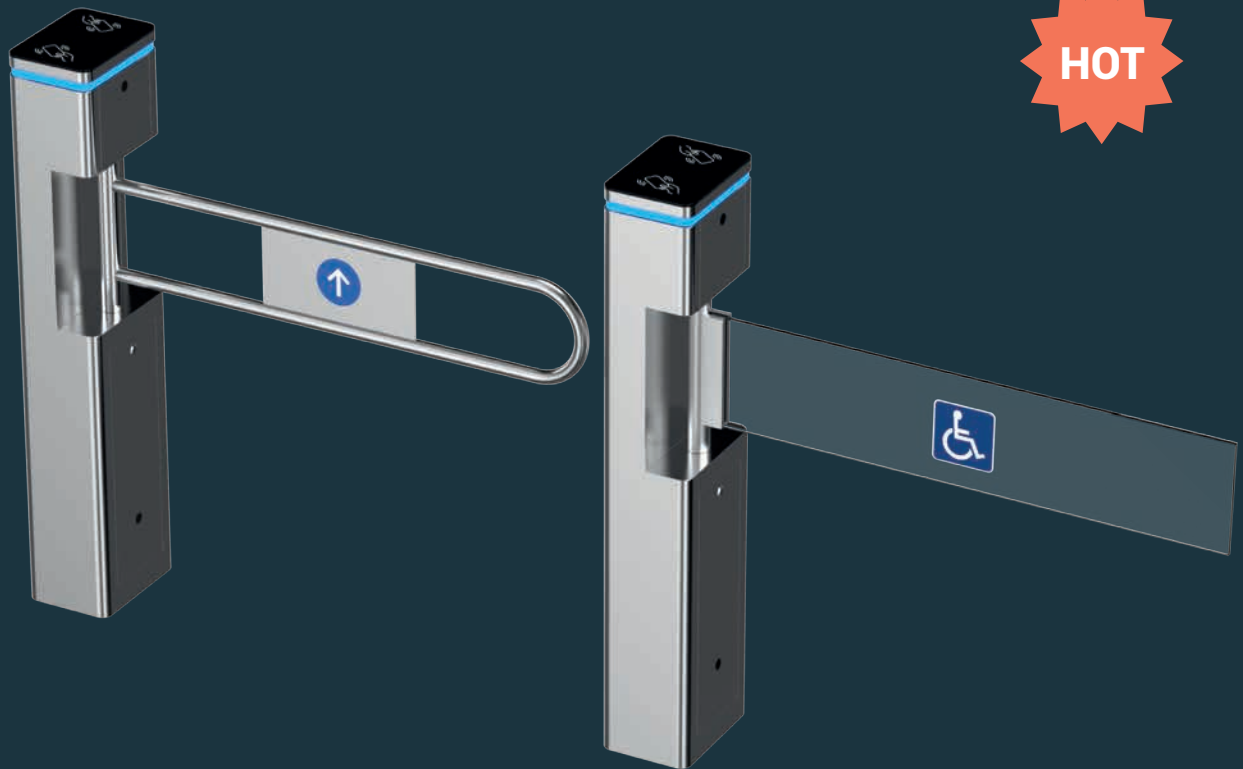
Pass rate: 40 person/min

Pass width: 600 - 1100mm

LED indicator: yes



# Nebula Swing Turnstile



Model No. **DS225**



Exquisite and beauty is the most attractive feature in the first look. The turnstile is usually used for wide passageway and ideal for installing outside.

## Super- elegant and European stylish turnstiles

Model DS225 is the simple type of nebula series turnstiles, one pcs can support 850-900mm arm for wide passage-way, wheelchair, and pedestrian with large luggage can also pass. And the cabinet with 230 width which is flexible to install any type of RFID card reader directly in the gate itself.

DS225 Nebula Swing Turnstile with IP65 level, waterproof, no afraid of water or rain. It is ideal for both indoor and outdoor settings.

Framework material: 304 stainless steel + black tempered glass

Arm material: 304 stainless steel / acrylic glass

Size: 230 \* 165 \* 1050mm

Net weight: 25kg/pcs

Pass rate: 40 person/min

Pass width: ≤900mm

LED indicator: yes

# Optical Swing Turnstile

HOT



## Model No. DSN-20

- Nebula DSN-20 optical swing turnstile with unique design, stylish of modern and urbanization cabinet, typical swipe card panel, attractive blue LED strip, solid body crate, brushed stainless steel and high-end black painting process.
- The most advantage is that the passage width can reach to 650mm-1100mm, which is suitable for handicapped person with wheelchair or pedestrians with luggage.

Material: 304 stainless steel + acrylic glass  
Size: 1600 \* 150 \* 980mm  
Net weight: 75kg/pcs  
Pass rate: 40 person/min  
Pass width: 650-1100mm (one passage)

# Optical Swing Turnstile



## Model No. DS218

- DS218 Optical swing turnstile with 120mm cabinet is an elegant and slim solution for access control. The white tempered glass side panels with dazzling LED light which are more attractive and impressive, easily to catch pedestrian's eyes and enhance the artistry of the sites.
- Waterproof: IP65 level, no afraid of water or rain. It is ideal for both indoor and outdoor settings. The black tempered glass on the card panel which are firm and solid, not easy to be scratched.

Material: 304 stainless steel + acrylic glass  
Size: 1200 \* 120 \* 1020mm  
Net weight: 70kg/pcs  
Pass rate: 40 person/min  
Pass width: 600-900mm (one passage)

# Optical Swing Turnstile



The advantage of swing turnstile is that the passage width can reach to 600mm-1200mm, which is suitable for handicapped person or pedestrians with luggage. The turnstile is usually used in high-grade occasion.

## Model No. DS212D



Material: 304 stainless steel

+ acrylic glass

Size: 1400 \* 210 \* 1000mm

Net weight: 65kg/pcs

Pass rate: 40 person/min

Pass width: 600-1000mm



Suitable for both indoor and outdoor environments

## Model No. DS2000



Material: 304 stainless steel

+ acrylic glass

Size: 1400 \* 280 \* 1000mm

Net weight: 70kg/pcs

Pass rate: 40 person/min

Pass width: 600-1200mm



Suitable for both indoor and outdoor environments

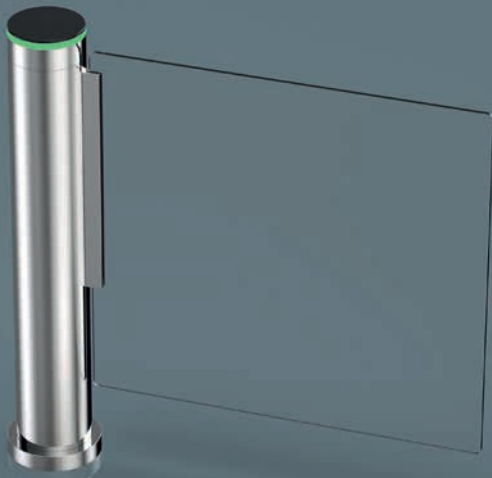
# Cylinder Swing Turnstile



The advantage of swing turnstile is that the passage width can reach to 600mm-1200mm, which is suitable for handicapped person or pedestrians with luggage. The turnstile is usually used in high-grade occasion.

**HOT**

Model No. DS8000



Material: 304 stainless steel  
+ acrylic glass  
Size: 168 \* 1050mm  
Net weight: 70kg/pcs  
Pass rate: 40 person/min  
Arm height: 900-1800mm (optional)  
Pass width: 600-900mm (one passage)



Suitable for both indoor and outdoor environments

Model No. DS205A



Material: 304 stainless steel  
Size: 168 \* 1050mm  
Net weight: 25kg/pcs  
Pass rate: 40 person/min  
Pass width: 600-900mm (one passage)



Suitable for both indoor and outdoor environments

# Optical Swing Turnstile Overview

NEW



HOT



HOT



HOT

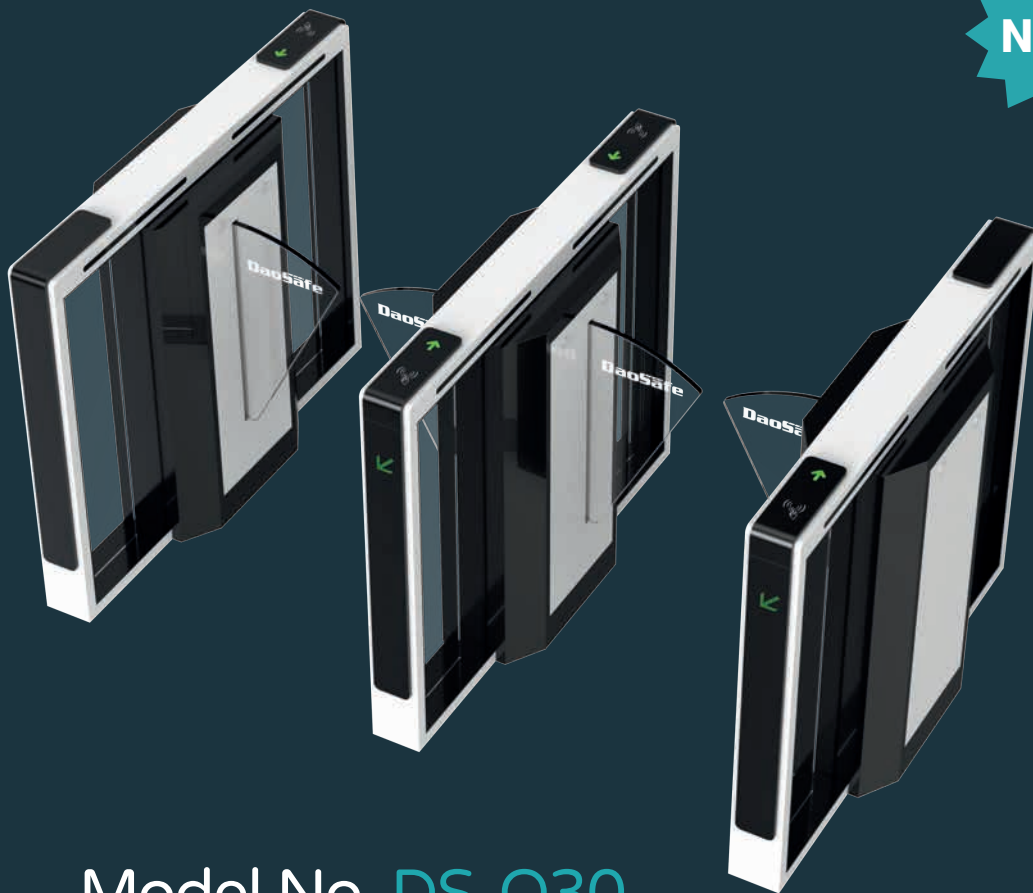


HOT



# Optical Flap Turnstile

NEW



Model No. **DS-Q30**



With speeds up to 45 persons per minute. Which can be ideal installed at metro, station, office building and other places where vast visitors passing through.

## Super- elegant and European stylish turnstiles

DS-Q30 Quantum optical flap turnstile is the most sturdy and reliable model, designed with classic black, white color appearance, elegant and time-less pairing, perfect for using at high end applications.

Integrated mold production to ensure the high quality guaranteed and adopt robot for weld to improve the high technological level.

Material: steel + white and black stoving varnish + tempered glass

Size: 1400 \* 280 \* 978mm

Net weight: 65kg/pcs

Pass rate: 45 person/min

Pass width: 600mm

LED indicator: yes

# Optical Flap Turnstile

HOT



## Model No. DSN-30

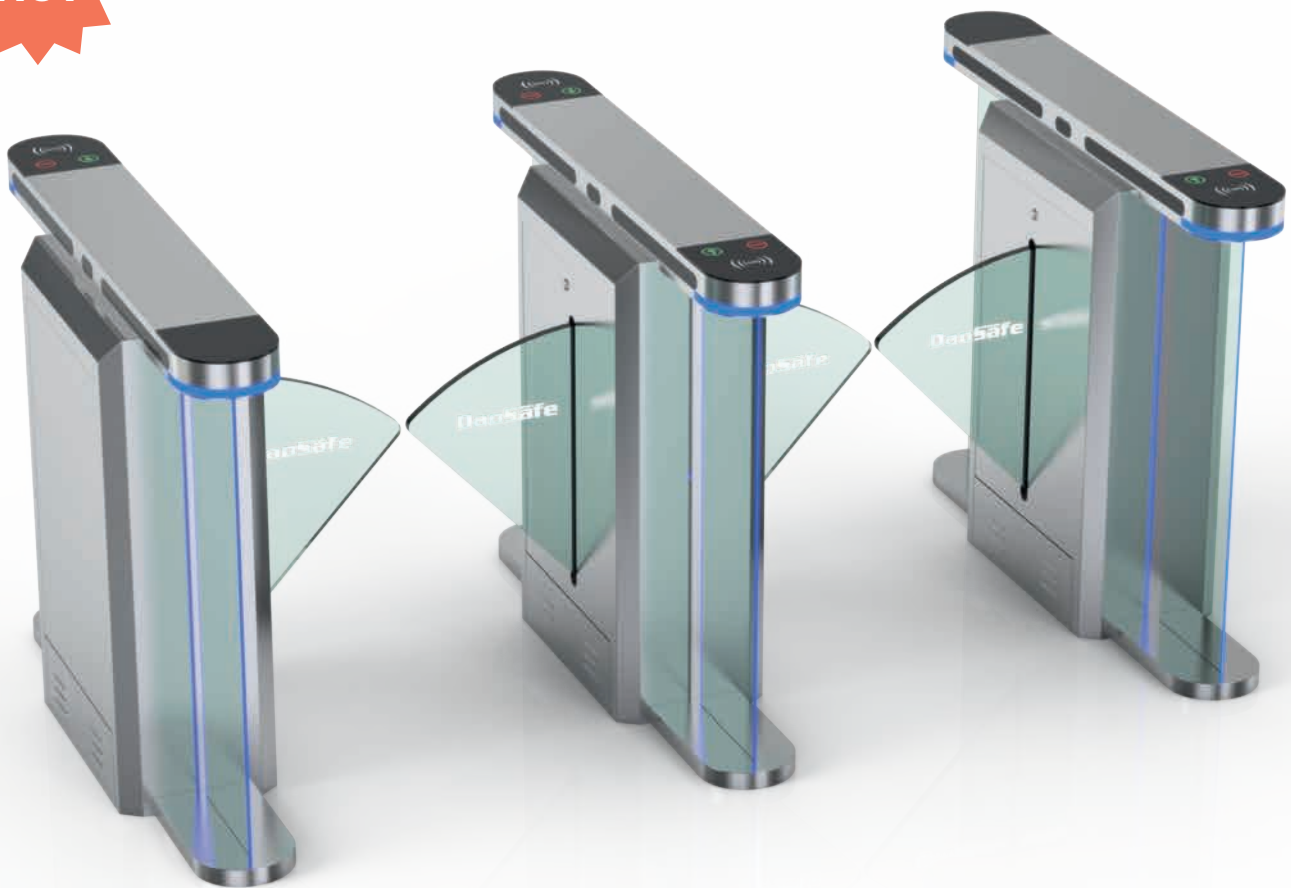
- Nebula optical flap turnstile with unique design, stylish of modern and urbanization cabinet, typical swipe card panel, attractive blue LED strip, solid body crate, brushed stainless steel and high-end black painting process.
- The most special feature of flap turnstile is faster open and close speed than other turnstile gates, normally 45 persons per minute. So it's perfect for the sites with big visitors flow rate.

Material: 304 stainless steel + acrylic glass  
Size: 1600 \* 150 \* 980mm  
Net weight: 75kg/pcs  
Pass rate: 45 person/min  
Pass width: 600mm



# Optical Flap Turnstile

HOT



## Model No. DS318

- The white tempered glass side panels with dazzling LED light which are more attractive and impressive, easily to catch pedestrian's eyes and enhance the artistry of the sites. The black tempered glass on the card panel which are firm and solid, not easy to be scratched.
- Waterproof: IP65 level, no afraid of water or rain. It is ideal for both indoor and outdoor settings.

Material: 304 stainless steel + acrylic glass  
Size: 1200 \* 185 \* 1000mm  
Net weight: 70kg/pcs  
Pass rate: 45 person/min  
Pass width: 600 - 900mm (one passage)

# Optical Flap Turnstile



## Model No. DS3000

- Mainly material is full brushed stainless steel and black painting for decoration. For the body, it's arc shape cabinet, no any angle, which make it safer to prevent people from injury.
- It's with unique bright, long and slim LED indication bar at front. On top side also place a LED indicator to show entry denied or accepted.

Material: 304 stainless steel + acrylic glass  
Size: 1400 \* 280/450 \* 1000mm  
Net weight: 70kg/pcs  
Pass rate: 45 person/min  
Pass width: 600 - 850mm (one passage)

# Optical Flap Turnstile



The advantage of flap turnstile is the fastest open and close speed, it's perfect for the sites with big visitors flow rate, such as commercial building, bus station, subway etc.

Model No. DS312



Material: 304 stainless steel  
+ acrylic glass

Size: 1200 \* 220 \* 1000mm

Net weight: 60kg/pcs

Pass rate: 45 person/min

Pass width: 600mm



Suitable for both indoor and outdoor environments (with shelter)

Model No. DS302



Material: 304 stainless steel  
+ acrylic glass

Size: 1200 \* 300 \* 980mm

Net weight: 65kg/pcs

Pass rate: 45 person/min

Pass width: 600mm



Suitable for both indoor and outdoor environments (with shelter)

# Optical Flap Turnstile Overview

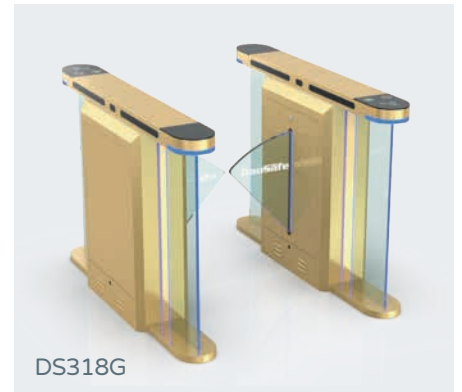
NEW



HOT



HOT





## Model No. DS-Q70

- DS-Q70 Quantum speed gate is designed with classic black, white color appearance, elegant and timeless pairing, perfect for using at high end applications. Supporting 600mm-1100mm for wide passageway, wheelchair, and pedestrian with large luggage can also pass.
- The system is with high open and close rate (0.1S) and 45 persons/minute throughput.

Material: 304 stainless steel + acrylic glass  
Size: 1400 \* 120 \* 978mm  
Net weight: 75kg/pcs  
Pass rate: 45 person/min  
Arm height: 900-1800mm  
Pass width: 600-1100mm (one passage)

HOT



## Model No. DSN-70

- Speed gate DSN-70, sleekly and beautifully designed, is a very thinnest speed gate with gorgeous stainless steel, it is suitable for using in the situation of limited installation space.
- The system is with high open and close rate (0.1S) and 45 persons/minute throughput.

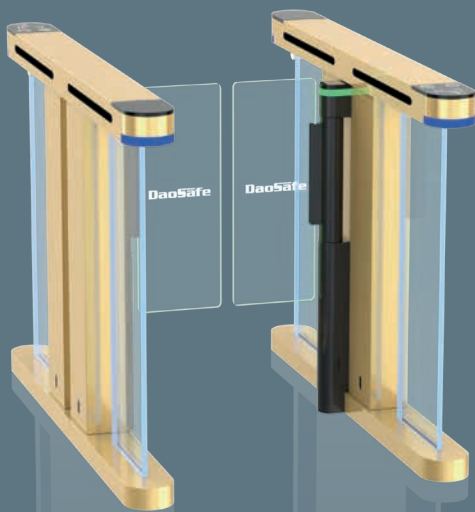
Material: 304 stainless steel + acrylic glass  
Size: 1600 \* 150 \* 980mm  
Net weight: 85kg/pcs  
Pass rate: 45 person/min  
Pass width: 650-1000mm (one passage)

# Speed Gate



The advantage of speed gate is that feature extremely fast throughout speed rates with stylish and aesthetic architectural design. The speed gate arms open away from visitors, move quick and keep low noise. Its width is up to 900mm to meet wheelchair access.

Model No. DS7200G



Material: steel + stoving varnish  
+ acrylic glass

Size: 1200 \* 120 \* 1020mm

Net weight: 80kg/pcs

Pass rate: 45 person/min

Arm height: 900-1800mm

Pass width: 600-900mm



Suitable for both indoor and outdoor environments (with shelter)

**HOT**

Model No. DS7100



Material: 304 stainless steel  
+ acrylic glass

Size: 1500 \* 120 \* 1020mm

Net weight: 80kg/pcs

Pass rate: 45 person/min

Pass width: 600-1000mm



Suitable for both indoor and outdoor environments (with shelter)

# Speed Gate High Glass

HOT



## Model No. DSN-80

- Nebula speed gate DSN-80 is with unique design, stylish of modern and urbanization cabinet, typical swipe card panel, attractive blue LED strip, solid body crate, brushed stainless steel and high-end black painting process.
- The arm height is reach to 1400mm and the system is with high open and close rate and 35 persons/minute throughput.

Material: steel + stoving varnish + acrylic glass

Size: 1400 \* 185 \* 990mm

Net weight: 75kg/pcs

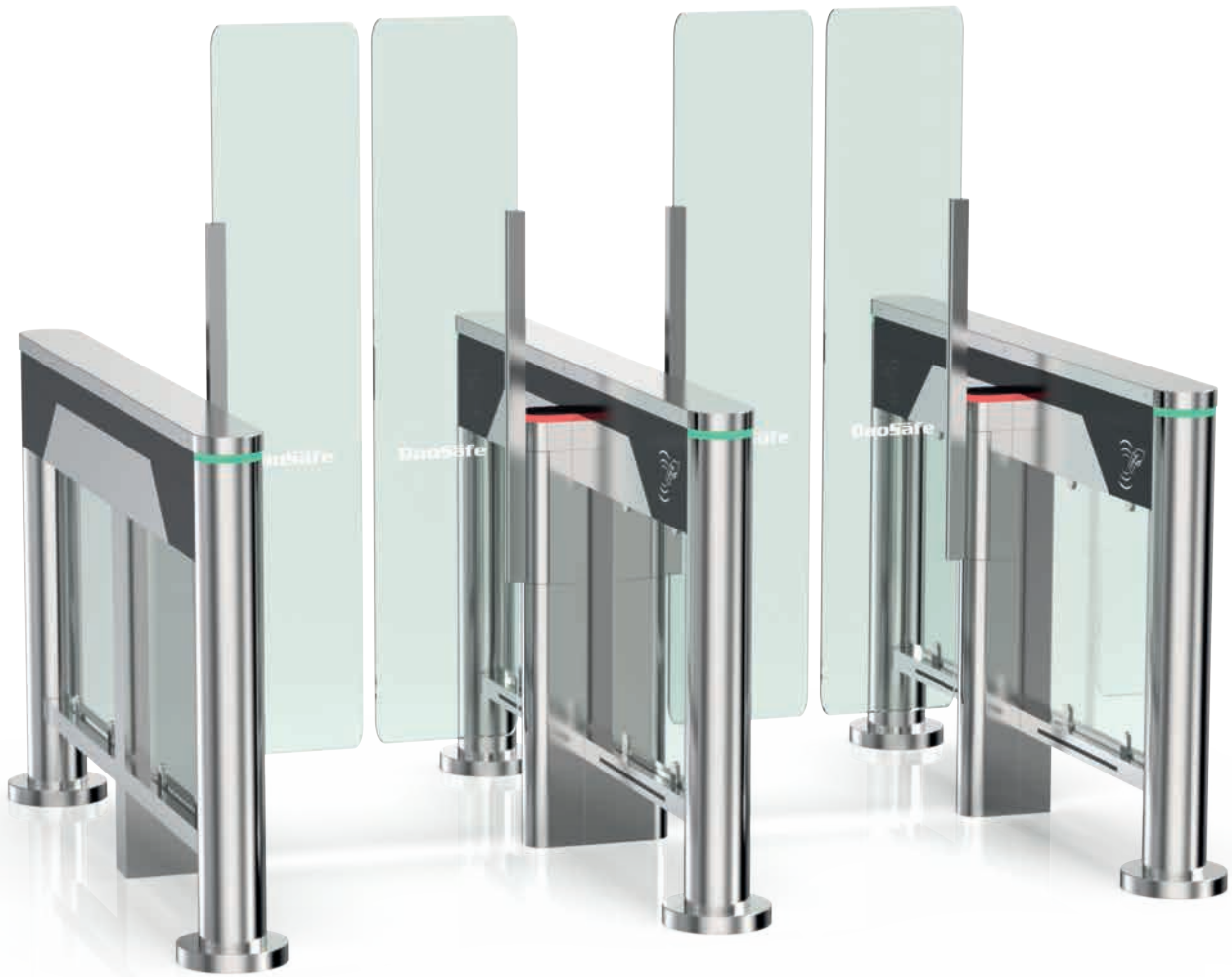
Pass rate: 35 person/min

Glass height: 900mm-1400mm

Pass width: 600-900mm (one passage)



# Speed Gate High Glass



## Model No. DS7000

- Speed gate DS7000 is designed in a super-fast, slim and artistic style to provide access control at place with elegant requirement, like business center, hotel and hall.
- The arm height is reach to 1800mm and the system is with high open and close rate(0.2) and 35 persons/min throughput.

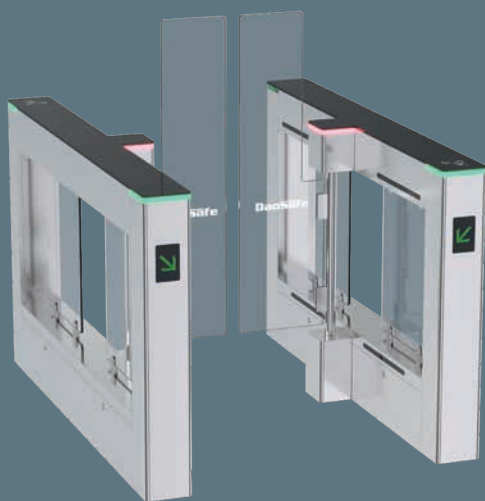
Material: 304 stainless steel + acrylic glass  
Size: 1683 \* 132 \* 1000mm  
Net weight: 75kg/pcs  
Pass rate: 35 person/min  
Arm height: 900-1800mm  
Pass width: 600-1200mm (one passage)

# Speed Gate High Glass



The advantage of high glass speed gate is that feature extremely fast throughout speed rates with high glass preventing unauthorised access. The speed gate arms open away from visitors, move quick and keep low noise. Its width is up to 900mm to meet wheelchair access, and the glass height is reach to 1800mm.

## Model No. DS6000



Material: 304 stainless steel  
+ acrylic glass

Size: 1600 \* 160 \* 1000mm

Net weight: 75kg/pcs

Pass rate: 35 person/min

Arm height: 900-1400mm

Pass width: 600-1140mm



Suitable for both indoor and outdoor environments (with shelter)

## Model No. DS605



Material: 304 stainless steel  
+ acrylic glass

Size: 1400 \* 350 \* 1000mm

Net weight: 90kg/pcs

Pass rate: 35 person/min

Arm height: 1400-1800mm

Pass width: 550-900mm



Suitable for both indoor and outdoor environments (with shelter)

# Speed Gate Overview

NEW



DS-Q70

HOT



DSN-70

HOT



DSN-80



DS605



DS6000



DS7000

HOT



DS7100



DS7200



DS7200G



DS7300

HOT



DS8000

# Speed Gate High Glass Overview

NEW



DS-Q70H

HOT



DSN-70

HOT



DSN-80



DS605



DS6000



DS7000

HOT



DS7100H



DS7200



DS7200G



DS7300H

# Full Height Turnstile



Full height turnstile is the highest security kind of turnstile, which can make stricter force control than other type.



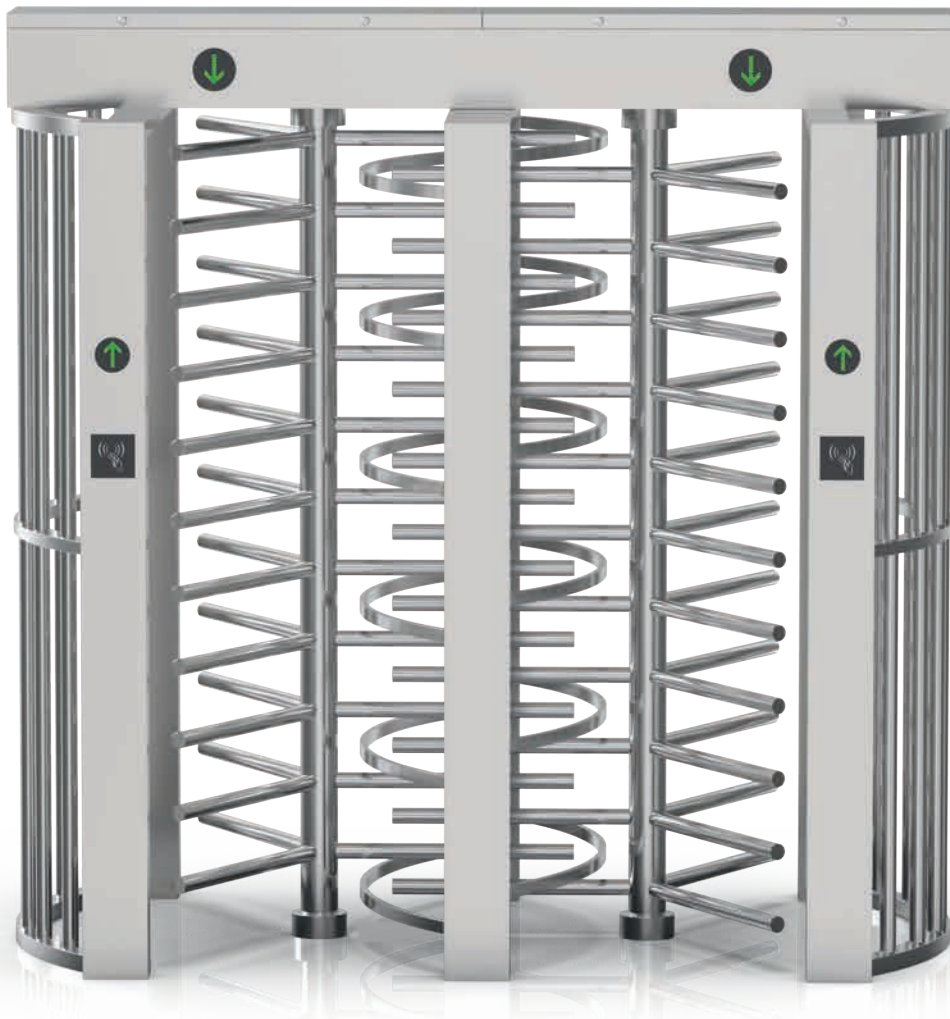
## Model No. DS411

Full height turnstile DS411 is designed to provide entry access control solutions in places that need high security, such as prison, stadium and construction site.

Material: 304 stainless steel  
Size: 1460 \* 1250 \* 2300mm  
Net weight: 200kg/pcs

Passage width: 650mm  
Pass rate: 30 person/min  
Working environment: indoor/outdoor

# Full Height Turnstile



## Model No. DS412

- Full Height turnstile DS412 is the secure turnkey solutions for events that have high-security request, industrial enterprises, stadium, football field, for instance.
- It is long-lasting durable, strong and robust for indoor and outdoor used, as all material is rigid, anti-rust and waterproof full brushed stainless steel.

Material: 304 stainless steel  
Size: 2200 \* 1250 \* 2300mm  
Net weight: 350kg/pcs  
Pass rate: 30 person/min (one lane)  
Pass width: 2 lanes, 675mm/lane

# Full Height Turnstile (with wide lane)



It supports 900mm for bicycle/wheelchair access, and supports 660mm standard gate for pedestrian access, which provides a high safety and convenient access solution.



## Model No. DS408 (wheelchair)

Turnstile with wheelchair gate for pedestrian and handicapped access.

Material: 304 stainless steel  
Size: 2450 \* 1260 \* 2300mm  
Net weight: 380kg/pcs  
Pass rate: 30 person/min  
Pass width: 2 lanes, 660mm/lane for pedestrian, 900mm/lane for wheelchair  
LED indicator: yes



## Model No. DS409 (bicycle)

Turnstile with bicycle gate for pedestrian and rider access.

Material: 304 stainless steel  
Size: 2450 \* 1260 \* 2300mm  
Net weight: 380kg/pcs  
Pass rate: 30 person/min  
Pass width: 2 lanes, 660mm/lane for pedestrian, 900mm/lane for bicycle  
LED indicator: yes

# Full Height Turnstile (with canopy)



It's ideal for outdoor environments, as the solid rain protection roof is designed to resist bad weather and intrusions.



## Model No. DS401FS

One door with rain cover type, single and bi-directional for adjustment.

Material: 304 stainless steel  
Size: 1460 \* 1460 \* 2300mm  
Net weight: 200kg/pcs  
Pass rate: 30 person/min  
Pass width: 625mm  
LED indicator: yes



## Model No. DS402FS

The model is rain cover double-door type, and bi-directional passage control.

Material: 304 stainless steel  
Size: 2200 \* 1460 \* 2300mm  
Net weight: 400kg/pcs  
Pass rate: 30 person/min  
Pass width: 2 lanes, 625mm/lane  
LED indicator: yes



# Full Height Turnstile Overview

HOT



DS411

HOT



DS412



DS401RS



DS401



DS402



DS408



DS401FS



DS402FS



DS409



DS401FS  
(Black)



DS401WS



DS401WS

# Pedestrian Security Gate



The pedestrian security gate is often combined with Daosafe other turnstile gates, wide passage improves the accessibility for the disabled and complements the function of turnstiles.



## DSSP6004C

The DSSP6004C full height pedestrian security gate is designed to work individually or work with our full height turnstiles. The gate with stainless steel material is suited for using at outdoor environments. It's easy to install and maintain.



## DSSP6003C

The DSSP6003C half height pedestrian gate is always conjunction with tripod turnstiles, flap turnstiles to allow wheelchair pass or some special requirements. It can easily integrate with any access control systems.

# Wristband Collector



It is an access control machine to swallow wristband as a stand-alone unit or integrates with turnstiles to use together.



## Model No. DSSP6001E

When the machine collects the wristband, the connective gates will open automatically. If insert invalid wristband, the machine will return it at the bottom of window after verified.

Material: steel, white and black  
stoving varnish  
Size: 220 \* 150 \* 1000mm

Net weight: 25kg/pcs  
Working environment: indoor  
LED indicator: yes

# Card Collector Device



1. DSSP6001A  
Card Collector



2. DSSP6001B  
Wristband Collector



3. DSSP6001C  
Card Reader



4. DSSP6001D  
QR Code



## Model No. DSSP6001

DSSP6001 as a stand-alone unit consists of 4 types, including card collector, wristband collector, card reader and QR code device. The system always integrates with turnstiles or other gates to use together.

# Railings



DSSP6002 series railings is designed to enclose open space that needs to be secured completing your passageway.

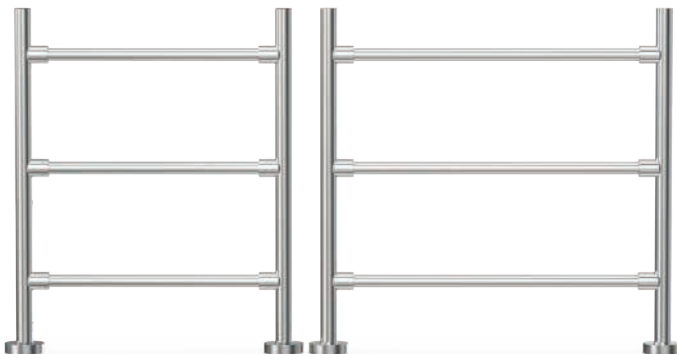
## DSSP6002G



## DSSP6002H



## DSSP6002S



The system can well match with various models of Daosafe turnstiles and speed gates.

DSSP6002G and DSSP6002S are available in glass or stainless steel materials.

The frame of DSSP6002H is made of brushed stainless steel which is robust, rigid, anti-rust and durable, usually work with full height turnstile gates.

DSSP6002 series are suitable for both indoor and outdoor applications.

Easily floor mount.

# Cooperation Partner

- Daosafe security products exported to 123 countries worldwide. Warmly welcome customer to visit Daosafe sample room and workshop, which is an extremely important way for us to learn more about customer requirements, sources of satisfaction and dissatisfaction and market development, to continuously promote improving product quality and innovation.
- We Daosafe are hoping to use our good quality products, competitive price, and professional services to make you successful. And we sincerely wish to build our long term business relationship together.



# Project Reference

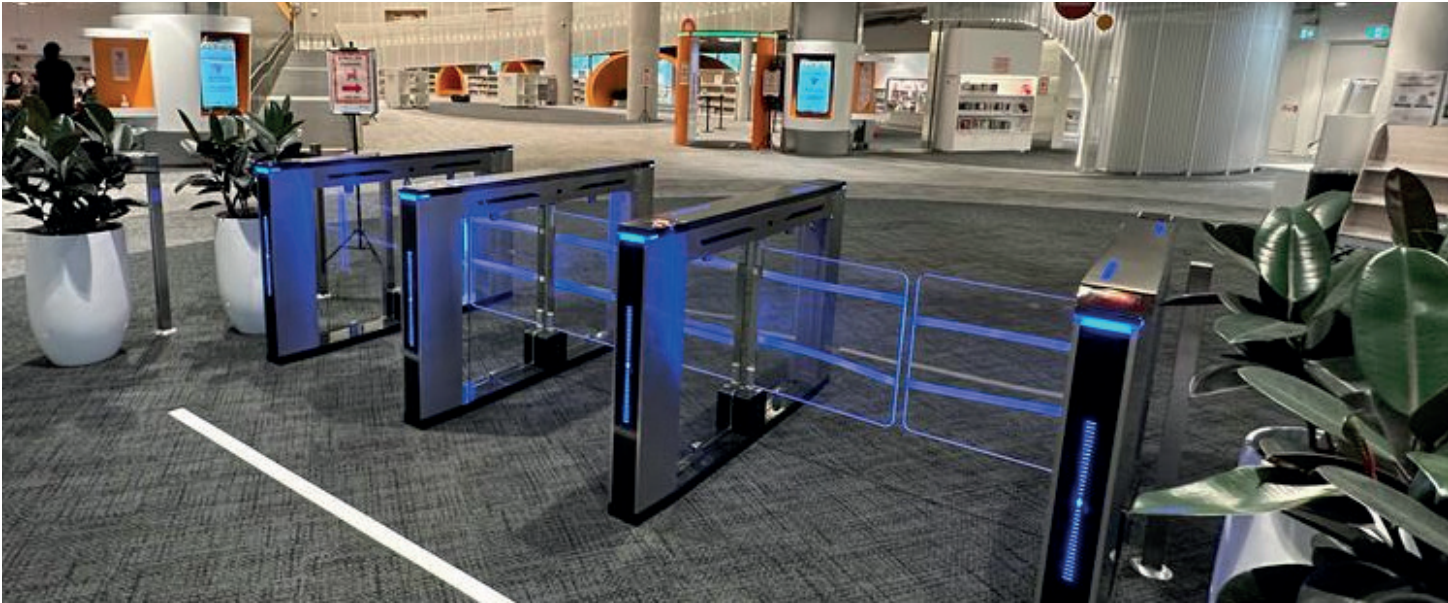


# Project Reference





# Project Reference



# Project Reference



# Project Reference





# DaoSafe

Email: [sales@daosafe.eu](mailto:sales@daosafe.eu)  
Web: [www.daosafe.eu](http://www.daosafe.eu)